

RF Combiner



16 Channel Combiner

AS 163

Features:

- Aluminium Die Cast Housing
- Adjacent Channel Application
- Frequency 5 ~ 1000 MHz
- Insertion Loss: 16dB Typ.
- High Isolation : > 30dB
- Better Shielding – No External Pick-up
- High Isolation Avoids Channel Mixing Flat
- Frequency Response & linear upto 1000MHz



16 Channel Combiner

AS 162



Features:

- Adjacent Channel Application
- Frequency 46 ~ 860 MHz
- 19" Rack Mounted
- Flat Frequency Response
- I/P & O/P Impedance: 75 Ohms
- Insertion Loss: 16dB Typ.
- Isolation : > 22dB

8 Ch Combiner

Features :

- Adjacent Channel Application
- Frequency 46 - 860 MHz
- Flat Frequency Response
- I/P & O/P Impedance: 75 Ohms
- Insertion Loss : 16dB Typ.
- Isolation : >22dB

SVM Combiner

Features :

- Used to combine SVM Racks
- Frequency 46 - 860 MHz
- Flat Frequency Response
- I/P & O/P Impedance: 75 Ohms
- Insertion Loss: 16dB Typ.
- Isolation : >22dB

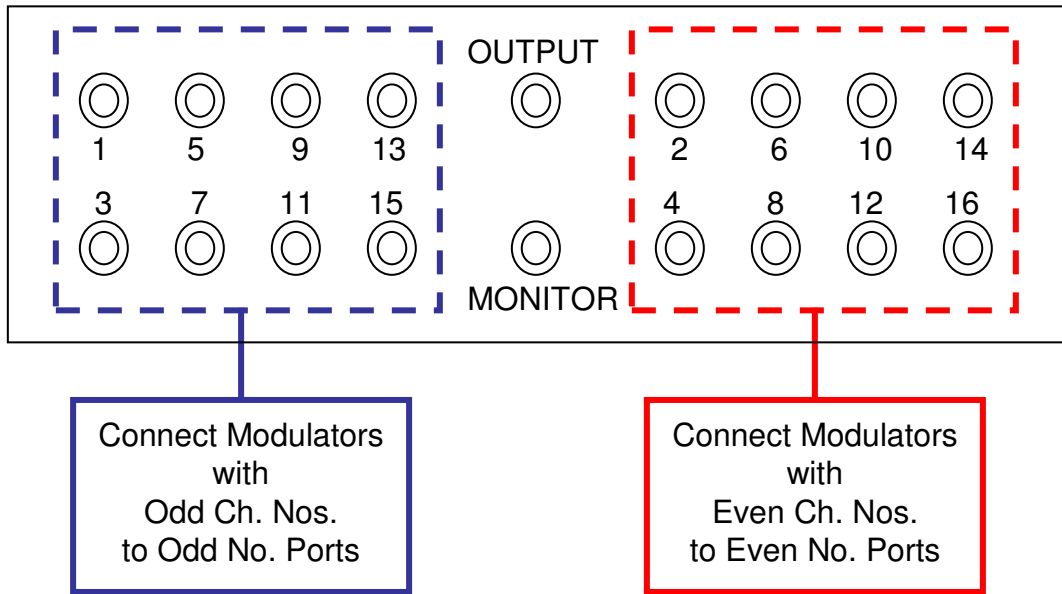


An International Quality Product from **ANALOG SYSTEMS**

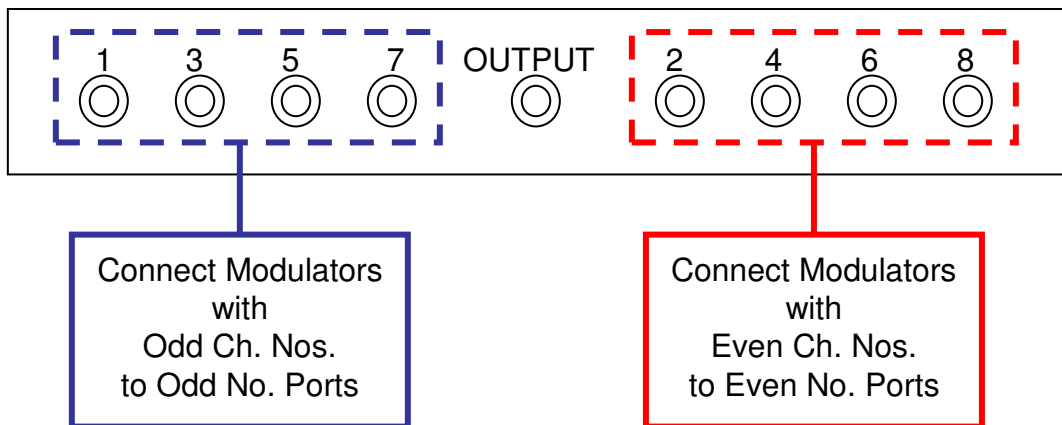
website: www.sharpvisiononline.in

Email: sales@sharpvisiononline.in / analogsystems@vsnl.net

16 CH COMBINER



8 CH. COMBINER



SVM SPECIAL COMBINER

